

From Hambley 6th Edition:

P2.70. Solve for the power delivered by the voltage source in Figure P2.70, using the mesh-current method.

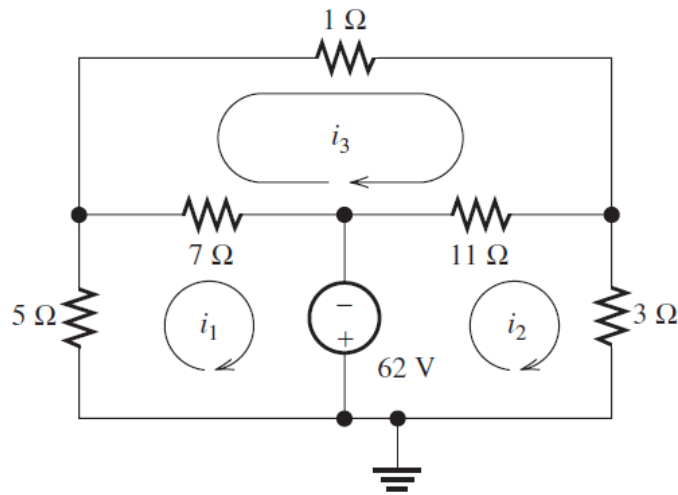


Figure P2.70

P2.53. Solve for the node voltages shown in Figure P2.53. Then, find the value of i_s .

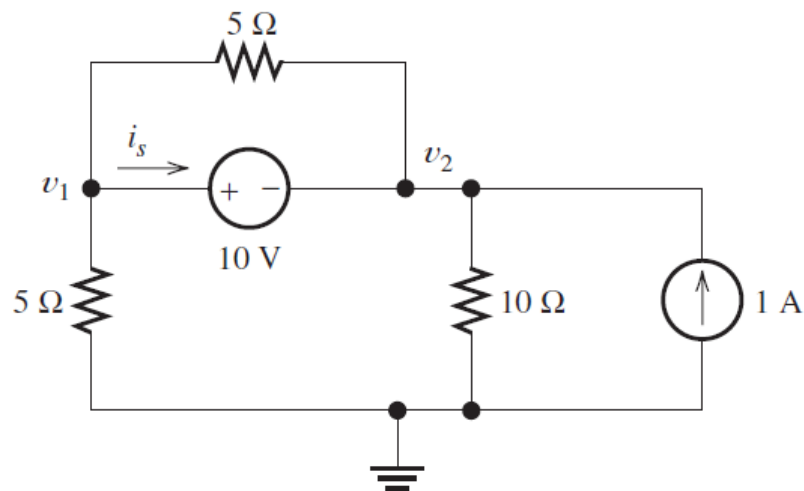


Figure P2.53